

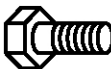

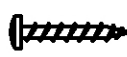
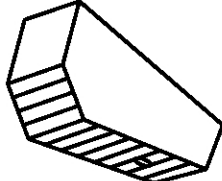

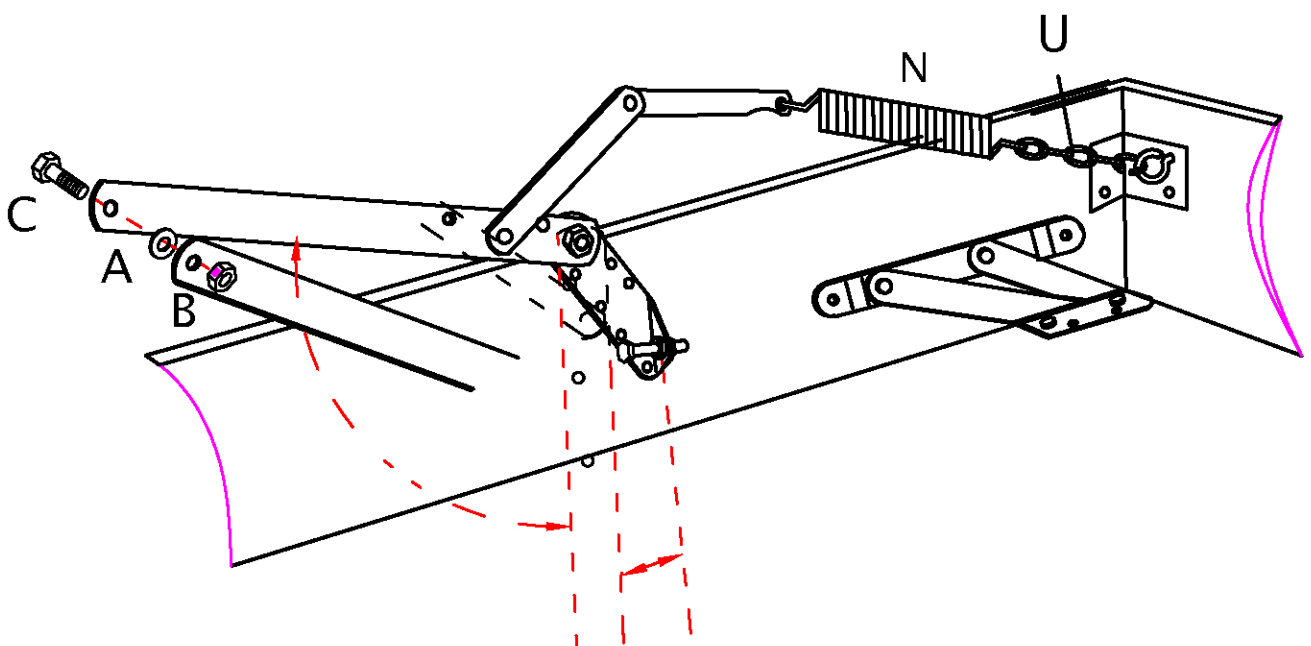


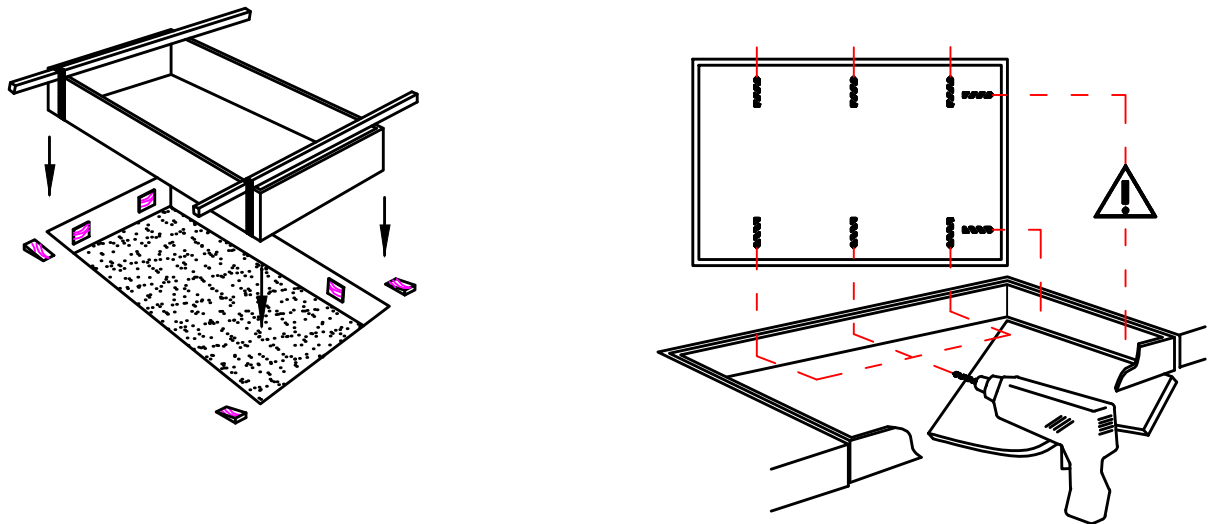


- | | | |
|---|---|------|
|  | A | (2x) |
|  | B | (2x) |
|  | C | (2x) |
|  | N | (2x) |
|  | O | (2x) |
|  | P | (2x) |
|  | U | (2x) |

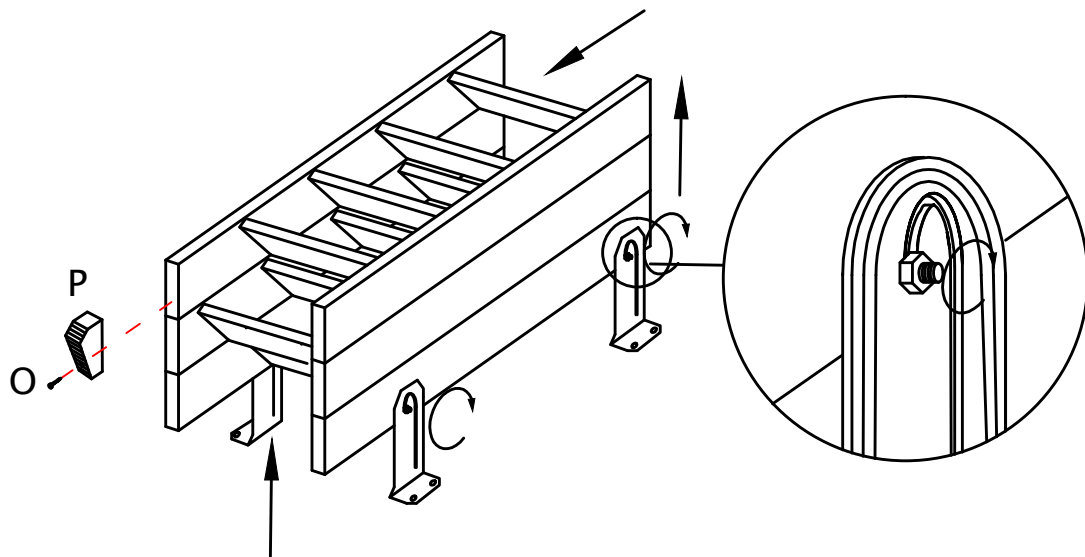
1



2



3



4

